



# s.84 BSPT

1/4" - 4"



## Quality

- 24h 100% seal test guaranteed
- Dual sealing system allows valve to be operated in either direction making installation easier
- No metal-to-metal moving parts
- No maintenance ever required
- Handle clearly shows ball position
- Silicone-free lubricant on all seals
- Chrome plated brass ball for longer life
- Handle stops on body to avoid stresses at stem

## Body

- Hot forged sand blasted, external nickel plated brass body and cap sealed with Loctite® or equivalent thread sealant
- Finest brass according to EN 12165 and EN 12164 specifications

## Stem

- Blowout-proof nickel plated brass stem
- Maintenance-free, double FPM O-rings at the stem for maximum safety

## Sealing

- Pure PTFE self-lubricating seats with flexible-lip design

## Threads

- EN10226-2, ISO 7/1, BS 21 BSPT taper female by female threads

## Flow

- Full port to DIN 3357 for maximum flow

## Handle

- Geomet® carbon steel handle with thick PVC dip coating. Handle coating offers both thermal and electrical protection
- **WARNING:** do not exceed reasonable temperature and/or electrical load



## Working pressure & temperature

- 40 bar (600 PSI) up to 2", 30 bar (450 PSI) over 2" non-shock cold working pressure
- -40°C to +170°C (-40°F to +350°F)
- For use with dangerous fluids temperature rating is -20°C +60°C and pressure rating is 5 bar
- AS4617 Limitation for GAS: 2100 Kpa up to 2" and 1500 Kpa from 2 1/2" to 4" rated working pressure and 0°C / +60°C temperature
- **WARNING:** freezing of the fluid in the installation may severely damage the valve

## Options up to 2" size

- Stem extension
- T-handle (for sizes 1/4" through 1 1/2")
- Oval lockable handle up to 2", round over 2"
- Stainless steel handle (1.4016 / AISI 430)
- Patented locking device for valves up to 4"
- Male by female threads
- Stubby handle
- **RuB** memory stop designed to be installed with our stubby handle

## Upon request

- Stainless steel ball (1.4401 / AISI 316)
- Glass filled PTFE seals
- Custom design

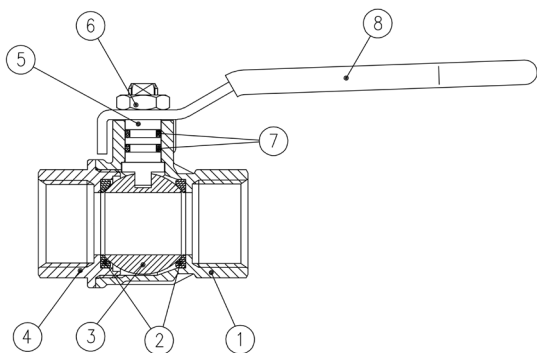
## PED Directive

- Assessment according to Pressure Equipment Directive 2014/68/UE module B+D by ICIM (0425)

## Approved by or in compliance with

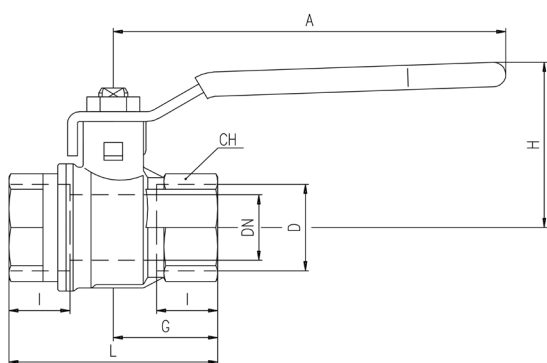
- The Australian Gas Association (Australia)
- Factory Mutual (United States)
- BSI Group (United Kingdom)
- RoHS Compliant (EU)

**NOTE:** approvals apply to specific configurations/sizes only.



1 ¼"-2" hollow ball

| Part description                                                           | Q.ty | Material          |
|----------------------------------------------------------------------------|------|-------------------|
| 1 Nickel plated body (external nickel plated, unplated inside up to 2")    | 1    | CW617N            |
| 2 Seat                                                                     | 2    | PTFE              |
| 3 Chrome plated ball                                                       | 1    | CW617N            |
| 4 Nickel plated end-cap (external nickel plated, unplated inside up to 2") | 1    | CW617N            |
| 5 Nickel plated stem O-ring design                                         | 1    | CW617N            |
| 6 Geomet® nut                                                              | 1    | CB4FF (EN10263-2) |
| 7 O-Ring                                                                   | 2    | FPM               |
| 8 Yellow PVC coated Geomet® steel handle                                   | 1    | DD11 (EN10111)    |

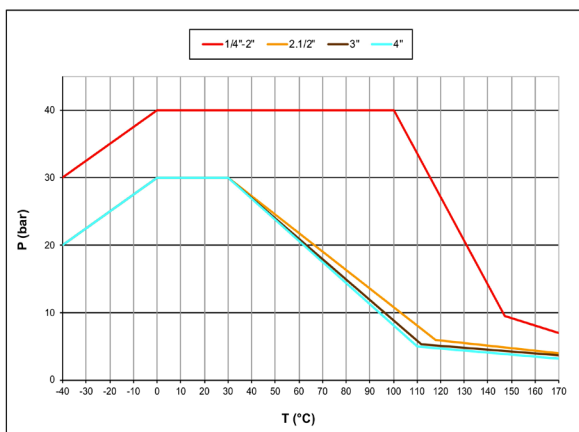


Compliant to  
**CE** 2014/68/UE product  
 Equipment category III Module B+D

| Code      | S84B50 | S84C50 | S84D50 | S84E50 | S84F50 | S84G50 | S84H50 | S84I50 | S84L50 | S84M50 | S84N50 |
|-----------|--------|--------|--------|--------|--------|--------|--------|--------|--------|--------|--------|
| D (inch)  | 1/4"   | 3/8"   | 1/2"   | 3/4"   | 1"     | 1 ¼"   | 1 ½"   | 2"     | 2 ½"   | 3"     | 4"     |
| DN (mm)   | 8      | 10     | 15     | 20     | 25     | 32     | 40     | 50     | 65     | 80     | 100    |
| I (mm)    | 12     | 12     | 15.5   | 17     | 21     | 23     | 23     | 26.5   | 32     | 35     | 41.5   |
| L (mm)    | 45     | 45     | 59     | 64     | 81     | 93     | 102    | 121    | 156    | 177    | 216    |
| G (mm)    | 22.5   | 22.5   | 29.5   | 32     | 40.5   | 46.5   | 51     | 60.5   | 78     | 88.5   | 108    |
| A (mm)    | 82     | 82     | 100    | 120    | 120    | 158    | 158    | 158    | 255    | 255    | 255    |
| H (mm)    | 38     | 38     | 43     | 50     | 54     | 73     | 79     | 86     | 132    | 140    | 154    |
| CH (mm)   | 17     | 20     | 25     | 31     | 40     | 49     | 54     | 68.5   | 85     | 99     | 105    |
| Kv (m³/h) | 3.9    | 8.2    | 28     | 42     | 70     | 80     | 125    | 179    | 516    | 776    | 1130   |

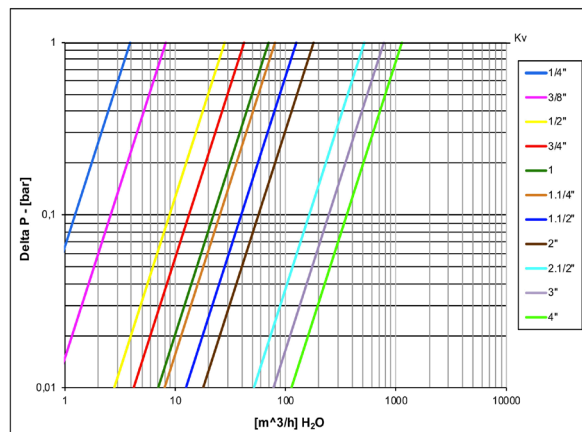
DN shows the nominal flow diameter. Actual flow diameter complies with full port DIN 3357 part 4. Stem configuration of valves over 2" is slightly different. Ball valves are marked CE on handle from 1 ¼" to 2", on body over 2" as follow:  
 CE 0425 cat IIIB+D PS: 5 GAS TS1: -20°C TS2: +60°C

### Pressure-temperature chart



AS4617 limitations for GAS: 2100 Kpa up to 2" and 1500 Kpa from 2 ½" to 4" rated working pressure and 0°C +60°C temperature

### Pressure drop chart



XCES84 - 5179