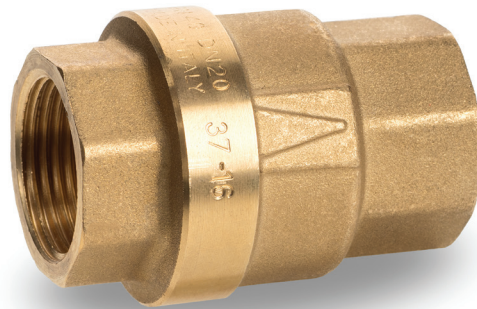




s.123 NPT

1/4" - 1 1/4"

heavy pattern check valve



Quality

- Suitable for domestic, industrial, pneumatic and hydraulic installations
- Performs well in any orientation
- Strong configuration suitable to most difficult applications
- Low noise
- Low water hammer
- Lowest pressure drop

Body

- Hot forged CW617N brass body
- Perfect seal at low and high pressure, within a wide temperature range

Sealing

- NBR sealing

Threads

- NPT taper ANSI B.1.20.1 female by female threads

Working pressure & temperature

- Cracking pressure: min 0.36 PSI (0.025 bar)
- Sealing pressure: min 0.72 PSI (0.05 bar)
- See nominal, non-shock cold working pressure in page 2
- -4°F to +212°F (-20°C to +100°C)
- **WARNING:** freezing of the fluid in the installation may severely damage the valve

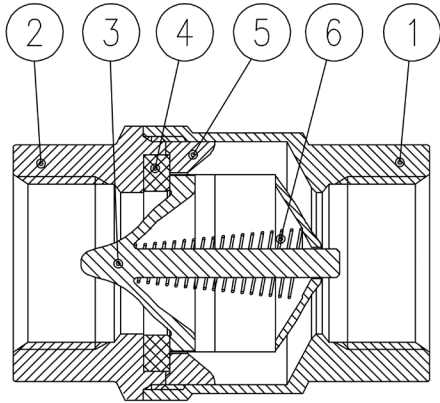
Options

- Stainless steel filter
- ISO 228 parallel female by female threads

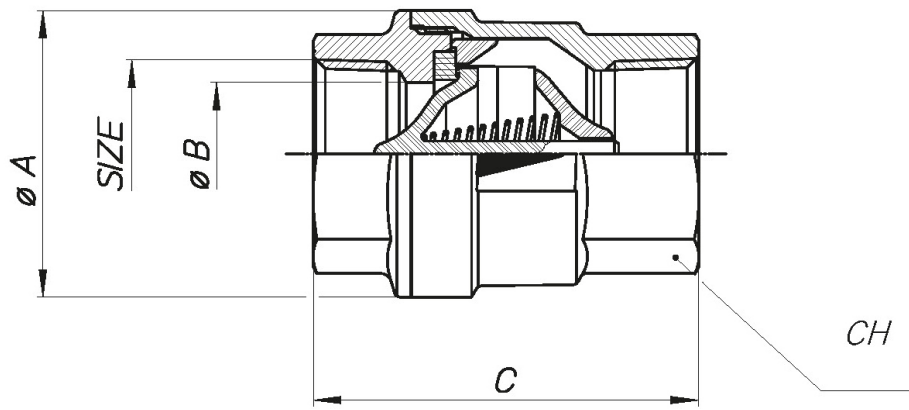
Approved by or in compliance with

- GOST-R (Russia)
- Attestation de Conformité Sanitaire (France)

NOTE: approvals apply to specific configurations/sizes only.

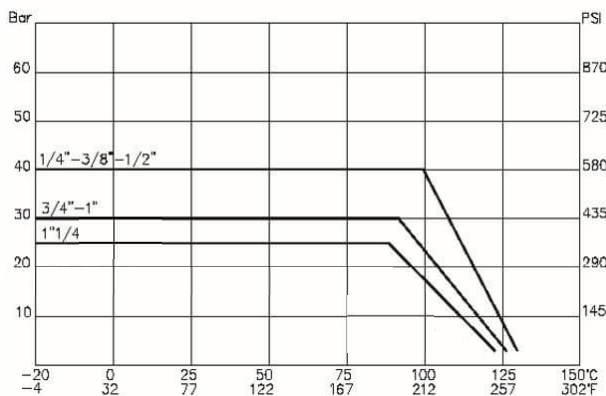


Part description	Q.ty	Material
1 Body	1	CW617N
2 End-cap	1	CW617N
3 Disc	1	Hostaform
4 Seat	1	NBR
5 Disc guide	1	Hostaform
6 Stainless steel spring	1	1.4325 / AISI 302



Code	123B41	123C41	123D41	123E41	123F41	123G41
Size (inch)	1/4"	3/8"	1/2"	3/4"	1"	1 1/4"
ØA (inch)	1,10	1,10	1,34	1,63	1,97	2,38
B (inch)	0,39	0,39	0,59	0,79	0,98	1,26
C (inch)	1,83	1,83	2,07	2,32	2,64	2,99
CH (inch)	0,83	0,83	1,02	1,26	1,54	1,93
PN (psi)	580	580	580	435	435	363
Cv (GPM)	5,96	5,96	7,60	9,85	12,53	23,67

Pressure-temperature chart



Pressure drop chart

