



E-Tork

150 to 8850 in-lb Heavy Duty Electric Actuators

The ET Series Electric Actuators are available in AC and DC voltages. With output torques from 150 to 8850 inch-pound they are some of the most compact, high-output design in the market.



Technical Features:

- Direct mount on RUB ball valves, for a compact package and perfect shaft alignment
- 50% rated duty cycle reversing motor with thermal overload protection
- Rugged corrosion resistant construction with aluminum housing, durable epoxy/polyurethane
- Coating, 316 stainless shaft and fasteners
- Manual override shaft - stainless steel type 316
- Can be wired in parallel with other
- Working temperature -40° to +150°F
- E-Torks – separate circuits not required
- ISO 5211 mounting
- Fast, simple travel adjustments
- 2 limit switches for travel indication
- Heat treated steel gearing, lubricated for life • 180° travel capability
- NEMA 4 and 4X enclosure

Options:

- Up to 2 additional limit switches



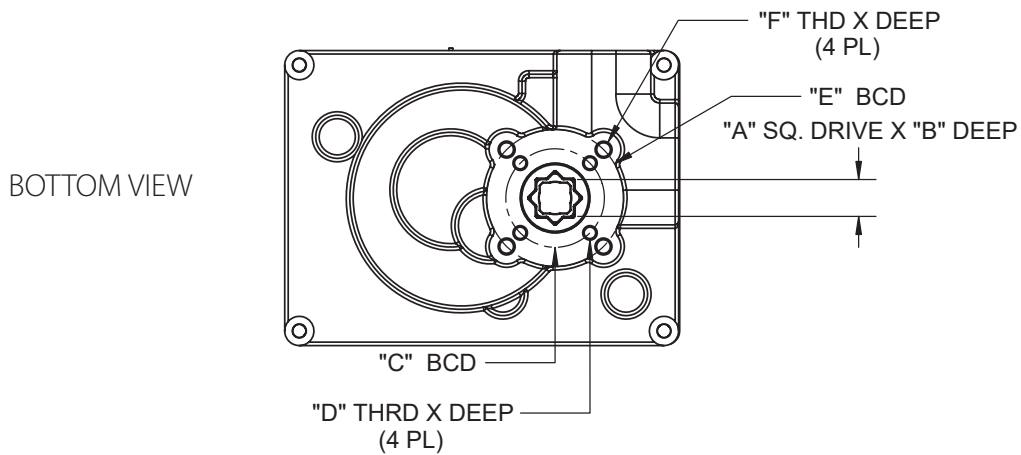
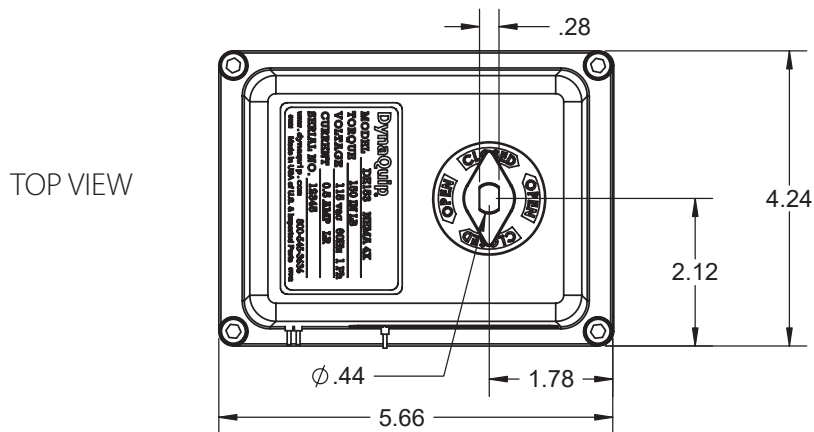
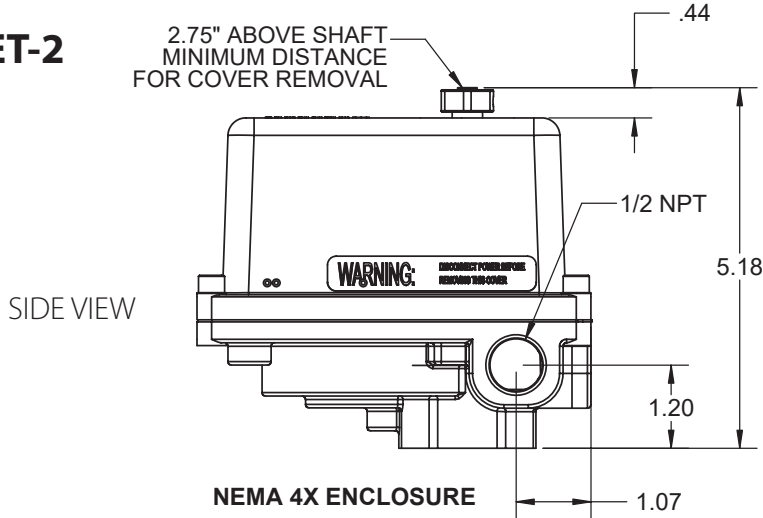
ET Actuator with s.134 SS Ball Valve

Model	Code	Torque in-lb	Seconds 90°	Power
ET-1	BAA1019N	150	2.5s	110VAC
	BAA1019C	150	2.5s	24 VAC/VDC
	BAA1019A	150	2.5s	220VAC
ET-2	BAA1020N	300	6s	110VAC
	BAA1020C	300	6s	24 VAC/VDC
	BAA1020A	300	6s	220VAC
ET-3	BAA1021N	443	20s	110VAC
	BAA1021C	443	20s	24 VAC
	BAA1021D	443	20s	24 VDC
	BAA1021A	443	20s	220VAC
ET-4	BAA1022N	795	15s	110VAC
	BAA1022C	795	15s	24 VAC
	BAA1022D	795	15s	24 VDC
	BAA1022A	795	15s	220VAC
ET-5	BAA1023N	1.325	22s	110VAC
	BAA1023C	1.325	22s	24 VAC
	BAA1023D	1.325	22s	24 VDC
	BAA1023A	1.325	22s	220VAC
ET-6	BAA1024N	2.000	26s	110VAC
	BAA1024C	2.000	26s	24 VAC
	BAA1024D	2.000	26s	24 VDC
	BAA1024A	2.000	26s	220VAC
ET-7	BAA1025N	3.540	16s	110VAC
	BAA1025C	3.540	16s	24 VAC
	BAA1025D	3.540	16s	24 VDC
	BAA1025A	3.540	16s	220VAC
ET-8	BAA1026N	4.425	28s	110VAC
	BAA1026C	4.425	28s	24 VAC
	BAA1026D	4.425	28s	24 VDC
	BAA1026A	4.425	28s	220VAC
ET-9	BAA1027N	5.750	35s	110VAC
	BAA1027C	5.750	35s	24 VAC
	BAA1027D	5.750	35s	24 VDC
	BAA1027A	5.750	35s	220VAC
ET-10	BAA1028N	8.850	46s	110VAC
	BAA1028C	8.850	46s	24 VAC
	BAA1028D	8.850	46s	24 VDC
	BAA1028A	8.850	46s	220VAC

Dimensions:

Dimensions are in inches

ET-1 / ET-2

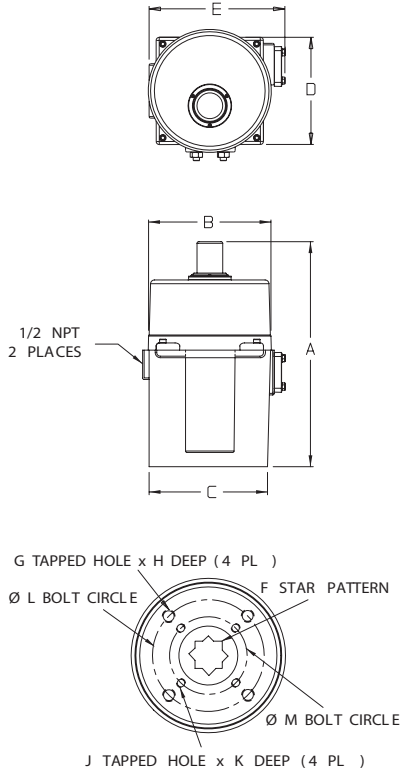


Model	Torque In-lb	Speed sec/90°	A	B	C	D	E	F	AMPS LOCKED ROTOR		WT. LBS
									AC	12-24 DC/AC	
ET-1	150	2.5	.354 (9 mm)	.53	1417 (F03)	M5 .44 DP	1969 (F05)	M6 .46 DP	.5	3.0	4.0
ET-2	300	6	.551 (14 mm)	.68	1417 (F03)	M5 .46 DP	1969 (F05)	M6 .46 DP	.5	3.0	4.0

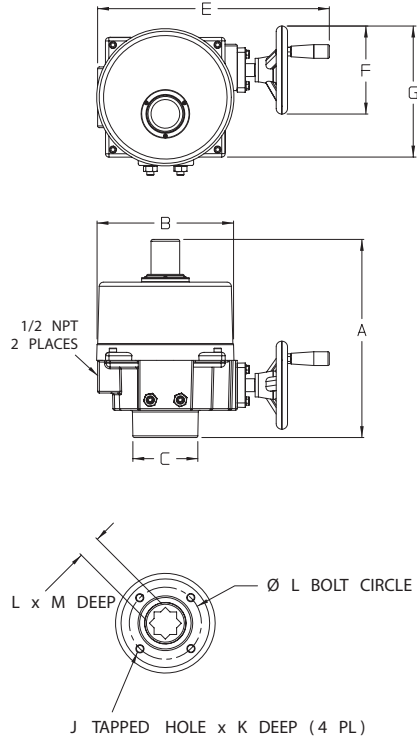
Dimensions:

Dimensions are in inches

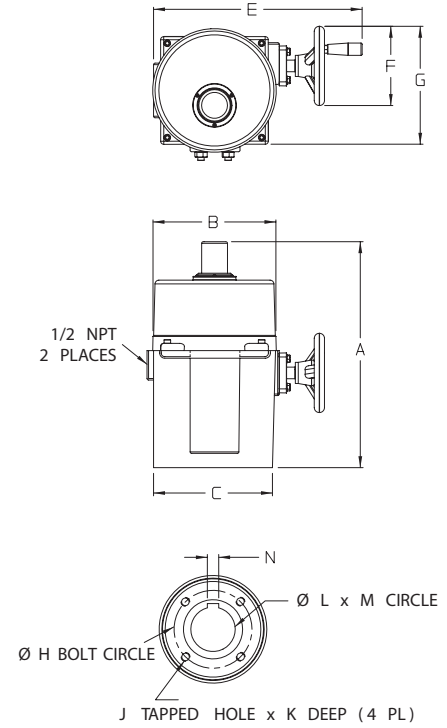
ET-3



**ET-4 / ET-5 / ET-6
ET-7 / ET-8 / ET-9**



ET-10



Model	Torque In-lb	Cycle Time	A	B	C	D	E	F	G	H	J	K	L	M	N
ET-3	443	20 sec	7.730 (196)	4.490 (114)	3.839 (98)	4.185 (106)	5.101 (130)	0.664 (17)	M6	0.590 (15)	M8	0.750 (19)	2.750 (70)	1.969 (50)	--
ET-4	795	15 sec													
ET-5	1325	22 sec	10.04 (255)	7.87 (200)	3.55 (90.1)	--	13 (330)	4.92 (125)	7.87 (200)	2.76 (70)	M8	.75 (19)	.866 (22)	1.18 (30)	--
ET-6	2000	26 sec													
ET-7	3540	16 sec													
ET-8	4425	28 sec	12.40 (315)	9.21 (234)	4.92 (125)	--	14.96 (380)	7.68 (195)	11.81 (300)	4.02 (102)	M10	.63 (16)	1.417 (36)	1.57 (40)	--
ET-9	5750	35 sec													
ET-10	8850	46 sec	23.23 (590)	10.24 (260)	7.09 (180)	--	17.72 (450)	11.61 (295)	13.39 (340)	5.51 (140)	M16	1.14 (29)	1.378 (35)	2.36 (60)	.39 (10)