



s.122

3/8" - 4"

ISO 228

heavy pattern brass check valve



Quality

- Suitable for domestic, industrial, pneumatic and hydraulic installations
- Performs well in any orientation
- Strong configuration suitable to most difficult applications
- Brass stem for outstanding performance
- Lowest pressure drop

Body

- Hot forged CW617N brass body

Sealing

- NBR 65 SH/PS seal assembled with stainless steel holder

Threads

- ISO 228 parallel female by female threads

Working pressure & temperature

- Cracking pressure: min 0.025 bar
- Sealing pressure: min 0.05 bar
- See non-shock cold working pressure on chart
- -20°C to +100°C (-4°F to +212°F)
- **WARNING:** freezing of the fluid in the installation may severely damage the valve

Options

- Strainer in Polymer and Stainless steel 1.4301 (AISI 304)
- * NPT female by female threads ANSI B.1.20.1 in sizes 1/2" to 4"

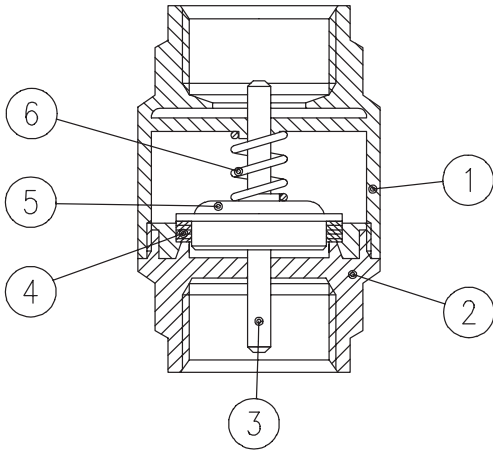
PED directive

- The product described in this document meets the requirements of PED Directive 2014/68/UE and according to art.4 par.3, it does not require CE marking; it cannot be used with dangerous gases in sizes larger than 20mm; it cannot be used with non-dangerous gases in sizes larger than 40mm

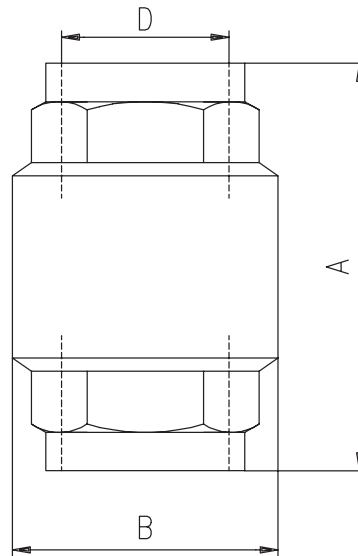
Approved by or in compliance with

- EAC – Declaration of conformity (Russia, Kazakhstan, Belarus)
- Attestation de Conformité Sanitaire (France) in sizes 1/4" to 2"
- RoHS Compliant (EU)

NOTE: approvals apply to specific configurations/sizes only.

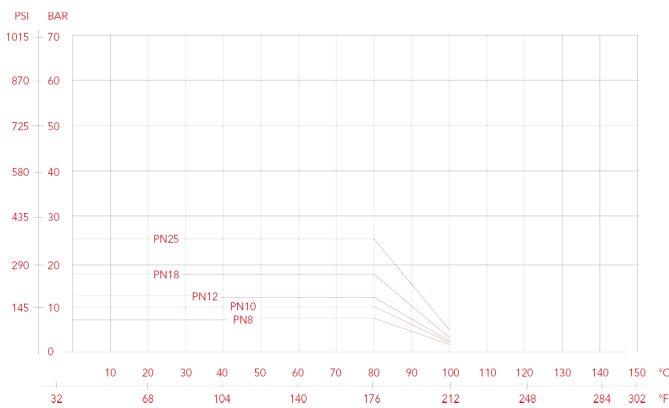


Part description	Q.ty	Material
1 Body	1	CW617N
2 End-cap	1	CW617N
3 Stem	1	CW614N
4 Seat	1	NBR
5 Seat holder	1	1.4301 / AISI 304
6 Stainless steel spring	1	1.4325 / AISI 302

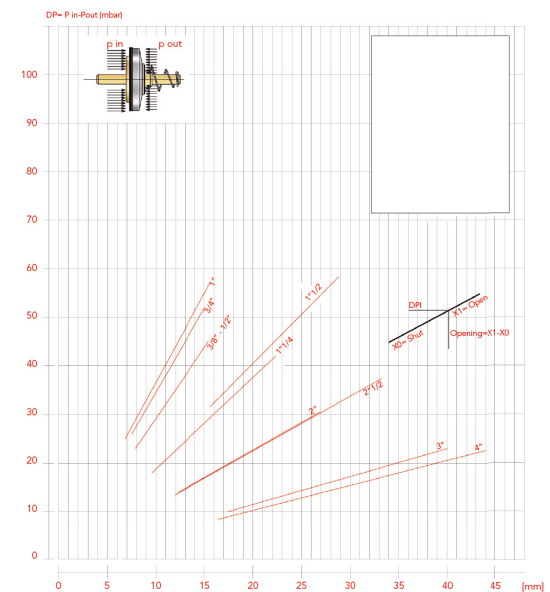


Code	122C00	122D00	122E00	122F00	122GC00	122H00	122I00	122L00	122M00	122N00
Size (inch)	3/8"	1/2	3/4	1	1 ¼	1 ½	2	2 ½	3	4
A (mm)	55	58.5	65	74.5	83	93	101	122	141.5	158.5
ØB (mm)	34.5	34.5	41.5	48	60.5	71	87	120	140	172
PN (Kg/cm ²)	25	25	25	25	18	18	18	12	12	12

Pressure-temperature chart



Pressure drop chart



XCE122 - 4862