



# s.130 NPT stainless steel

1/4" - 4"  
1000 PSI



## Quality

- Dual sealing system allows valve to be operated in either direction making installation easier
- Handle clearly shows ball position
- Silicone-free lubricant on all seals
- Test standard API 598
- NACE compliance MR-01-75
- Handle stops on body to avoid stresses at stem

## Body

- CF8M stainless steel body and cap

## Stem

- Blowout-proof stainless steel stem

## Sealing

- Glass filled PTFE seats

## Threads

- NPT taper ANSI B.1.20.1 female by female threads

## Flow

- 100% full port for maximum flow

## Handle

- Plastic coated stainless steel lockable handle. Handle coating offers both thermal and electrical protection
- **WARNING:** do not exceed reasonable temperature and/or electrical load

## Working pressure & temperature

- 1000 PSI non-shock cold working pressure
- 150 PSI WSP steam rating
- 2x 10-2 torr vacuum rating
- \*150 psig non-shock working steam pressure. Not suitable for throttling steam.
- -50°F to +450°F
- **WARNING:** freezing of the fluid in the installation may severely damage the valve

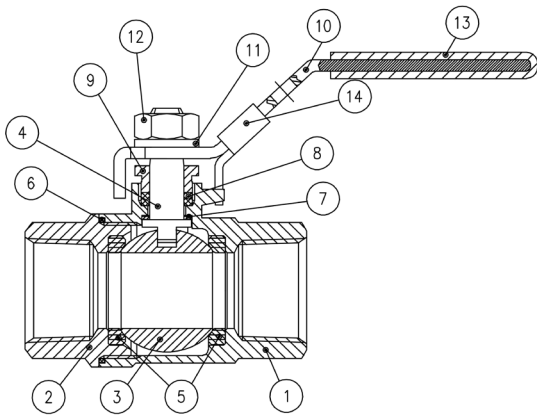
## Upon request

- Oval lockable handle up to 2"

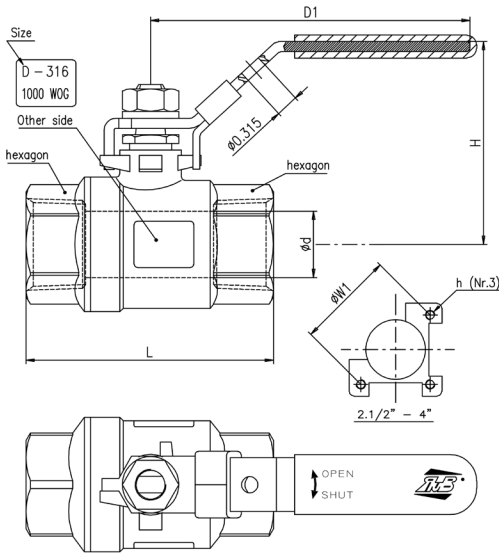
## Approved by or in compliance with

- GOST-R (Russia)

**NOTE:** approvals apply to specific configurations/sizes only.



Part description	Q.ty	Material
1	1	A351-CF8M
2	1	A351-CF8M
3	1	A351-CF8M
4	1	A276 Gr. 316
5	2	PTFE +15% G/F
6	1	PTFE
7	1	PTFE
8	1	PTFE
9	1	A194 Gr.8
10	1	A240 SS304
11	1	A493 SS304
12	1	A194 Gr.8
13	1	Vinyl grip
14	1	A240 SS304

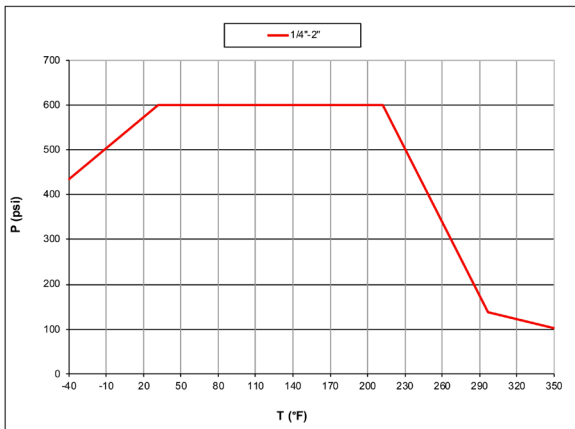


Code	130B41	130C41	130D41	130E41	130F41	130G41	130H41	130I41	130L41	130M41	130N41
D (Size)	1/4"	3/8"	1/2"	3/4"	1"	1 1/4"	1 1/2"	2"	2 1/2"	3"	4"
d (inch)	0.433	0.492	0.591	0.787	0.984	1.26	1.496	1.969	2.559	3.15	3.937
L (inch)	2.276	2.276	2.429	2.76	3.201	3.78	4.429	4.961	6.634	7.535	8.524
H (inch)	2.252	2.252	2.327	2.463	2.783	3	3.508	3.864	4.354	4.882	6.732
D1 (inch)	4.055	4.055	4.055	4.055	5	5	6.024	7.598	7.598	10.985	13.189
W1 (inch)	N/A	N/A	N/A	N/A	N/A	N/A	N/A	N/A	2.756	4.016	4.016
h	N/A	N/A	N/A	N/A	N/A	N/A	N/A	N/A	M8x1.25	M10x1.5	M10x1.5
Cv (GPM)	12	16	20	42	65	101	144	250	422	640	1000

### Water flow ratings

Size	1/4"	3/8"	1/2"	3/4"	1"	1 1/4"	1 1/2"	2"	2 1/2"	3"	4"
CV	12	16	20	42	65	101	144	250	422	640	1000

### Pressure-temperature chart



### Pressure drop chart

