



s.131 NPT stainless steel

1/4" - 2"
1000 PSI
reduced port



Quality

- Dual sealing system allows valve to be operated in either direction making installation easier
- Handle clearly shows ball position
- Silicone-free lubricant on all seals
- Test standard API 598
- NACE compliance MR-01-75
- Handle stops on body to avoid stress at stem

Body

- CF8M stainless steel body

Stem

- Blowout-proof stainless steel stem

Sealing

- PTFE seats

Threads

- NPT taper ANSI B.1.20.1 female by female threads

Handle

- Plastic coated stainless steel lockable handle. Handle coating offers both thermal and electrical protection

- **WARNING:** do not exceed reasonable temperature and/or electrical load

Working pressure & temperature

- 1000 PSI non-shock cold working pressure
- 150 PSI WSP steam rating
- 2×10^{-2} torr vacuum rating
- *150 psig non-shock working steam pressure. Not suitable for throttling steam.
- -50°F to +400°F
- **WARNING:** freezing of the fluid in the installation may severely damage the valve

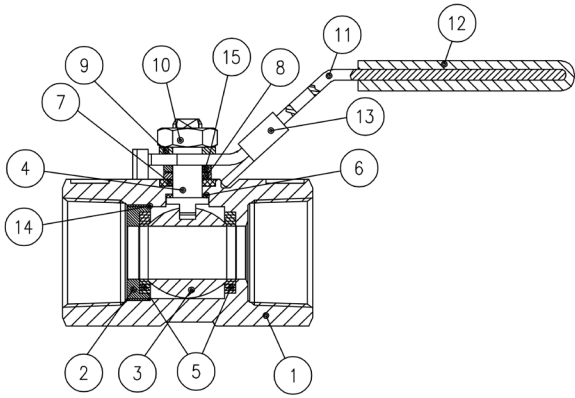
Upon request

- * ISO 7/1, BS 21 BSPT taper female by female threads

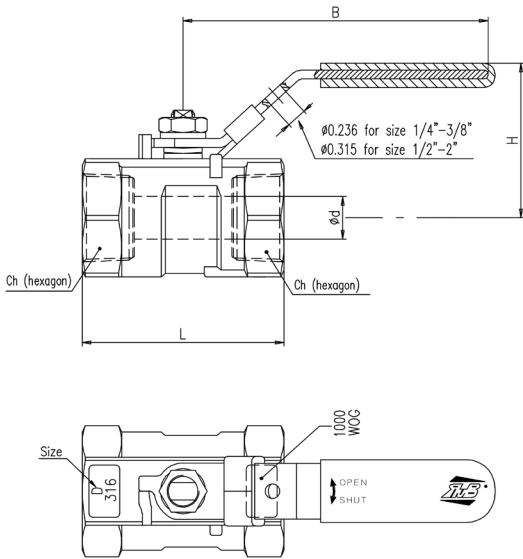
Approved by or in compliance with

- GOST-R (Russia)

NOTE: approvals apply to specific configurations/sizes only.



Part description	Qty	Material
1 Body	1	A351-CF8M
2 Insert	1	AISI316
3 Ball	1	AISI 316 or A351-CF8M
4 Stem	1	A276 Gr. 316
5 Seat	2	PTFE
6 Thrust washer	1	PTFE
7 Packing	1	PTFE
8 Washer	1	A240 SS304
9 Lock washer	1	A493 SS304
10 Stem nut	1	A194 Gr.8
11 Lockable handle	1	A240 SS304
12 Handle sleeve	1	Vinyl grip
13 Locking plate	1	A240 SS304
14 Gasket	1	PTFE - Only 1 1/4"-2"
15 Concave washer	1	SS301

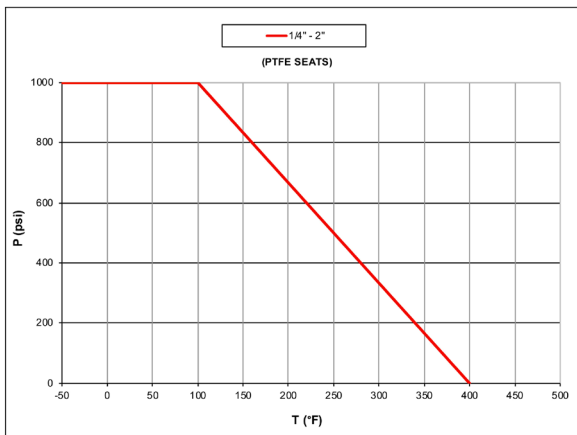


Code	131B41	131C41	131D41	131E41	131F41	131G41	131H41	131I41
D (Size)	1/4"	3/8"	1/2"	3/4"	1"	1 1/4"	1 1/2"	2"
d (inch)	0.197	0.276	0.362	0.492	0.591	0.787	0.965	1.260
L (inch)	1.535	1.732	2.205	2.323	2.795	3.110	3.268	3.937
H (inch)	1.370	1.390	1.807	1.846	1.862	2.189	2.280	2.547
B (inch)	2.756	3.110	3.661	3.622	4.409	4.409	5.315	5.315
Ch (inch)	0.669	0.827	0.984	1.260	1.496	1.929	2.087	2.559
Cv (GPM)	2.0	6.0	7.0	14.0	23.0	36.0	56.0	92.0

Water flow ratings

Size	1/4"	3/8"	1/2"	3/4"	1"	1 1/4"	1 1/2"	2"
CV	2	6	7	14	23	36	56	92

Pressure-temperature chart



Pressure drop chart

