



s.84 BSPT

1/4" - 4"



Quality

- 24h 100% seal test guaranteed
- Dual sealing system allows valve to be operated in either direction making installation easier
- No metal-to-metal moving parts
- No maintenance ever required
- Handle clearly shows ball position
- Silicone-free lubricant on all seals
- Chrome plated brass ball for longer life
- Handle stops on body to avoid stresses at stem

Body

- Hot forged sand blasted, external nickel plated brass body and cap sealed with Loctite® or equivalent thread sealant
- Finest brass according to EN 12165 and EN 12164 specifications

Stem

- Blowout-proof nickel plated brass stem
- Maintenance-free, double FPM O-rings at the stem for maximum safety

Sealing

- Pure PTFE self-lubricating seats with flexible-lip design

Threads

- EN10226-2, ISO 7/1, BS 21 BSPT taper female by female threads

Flow

- Full port to DIN 3357 for maximum flow

Handle

- Geomet® carbon steel handle with thick PVC dip coating. Handle coating offers both thermal and electrical protection
- **WARNING:** do not exceed reasonable temperature and/or electrical load



Working pressure & temperature

- 40 bar (600 PSI) up to 2", 30 bar (450 PSI) over 2" non-shock cold working pressure
- -40°C to +170°C (-40°F to +350°F)
- For use with dangerous fluids temperature rating is -20°C +60°C and pressure rating is 5 bar
- AS4617 Limitation for GAS: 2100 Kpa up to 2" and 1500 Kpa from 2 1/2" to 4" rated working pressure and 0°C / +60°C temperature
- **WARNING:** freezing of the fluid in the installation may severely damage the valve

Options up to 2" size

- Stem extension
- T-handle (for sizes 1/4" through 1 1/4")
- Oval lockable handle up to 2", round over 2"
- Stainless steel handle (1.4016 / AISI 430)
- Patented locking device for valves up to 4"
- Male by female threads
- Stubby handle
- **RuB** memory stop designed to be installed with our stubby handle

Upon request

- Stainless steel ball (1.4401 / AISI 316)
- Glass filled PTFE seals
- Custom design

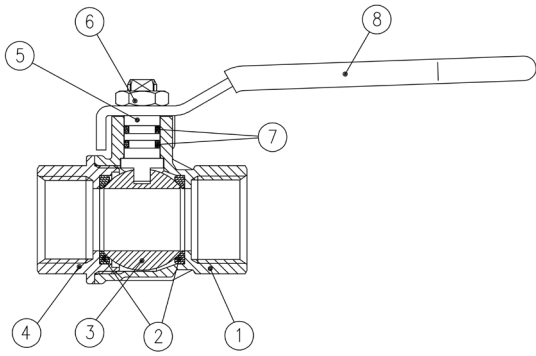
PED Directive

- Assessment according to Pressure Equipment Directive 2014/68/UE module B+D by ICIM (0425)

Approved by or in compliance with

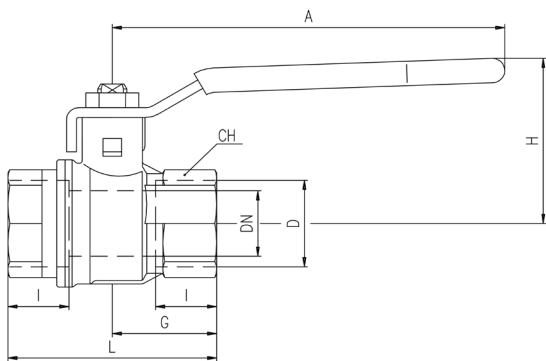
- The Australian Gas Association (Australia)
- Factory Mutual (United States)
- BSI Group (United Kingdom)
- RoHS Compliant (EU)

NOTE: approvals apply to specific configurations/sizes only.



1 1/4"-2" hollow ball

Part description	Q.ty	Material
1 Nickel plated body (external nickel plated, unplated inside up to 2")	1	CW617N
2 Seat	2	PTFE
3 Chrome plated ball	1	CW617N
4 Nickel plated end-cap (external nickel plated, unplated inside up to 2")	1	CW617N
5 Nickel plated stem O-ring design	1	CW617N
6 Geomet® nut	1	CB4FF (EN10263-2)
7 O-Ring	2	FPM
8 Yellow PVC coated Geomet® steel handle	1	DD11 (EN10111)

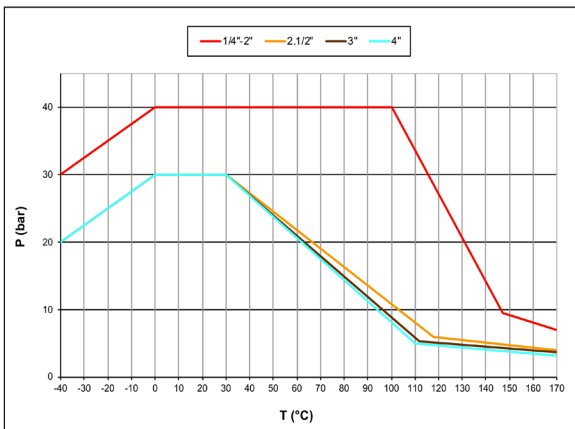


Compliant to
CE 2014/68/UE product
 Equipment category III Module B+D

Code	S84B50Y	S84C50Y	S84D50Y	S84E50Y	S84F50Y	S84G50Y	S84H50Y	S84I50Y	S84L50Y	S84M50Y	S84N50Y
D (inch)	1/4"	3/8"	1/2"	3/4"	1"	1 1/4"	1 1/2"	2"	2 1/2"	3"	4"
DN (mm)	8	10	15	20	25	32	40	50	65	80	100
I (mm)	12	12	15.5	17	21	23	23	26.5	32	35	41.5
L (mm)	45	45	59	64	81	93	102	121	156	177	216
G (mm)	22.5	22.5	29.5	32	40.5	46.5	51	60.5	78	88.5	108
A (mm)	82	82	100	120	120	158	158	158	255	255	255
H (mm)	38	38	43	50	54	73	79	86	132	140	154
CH (mm)	17	20	25	31	40	49	54	68.5	85	99	105

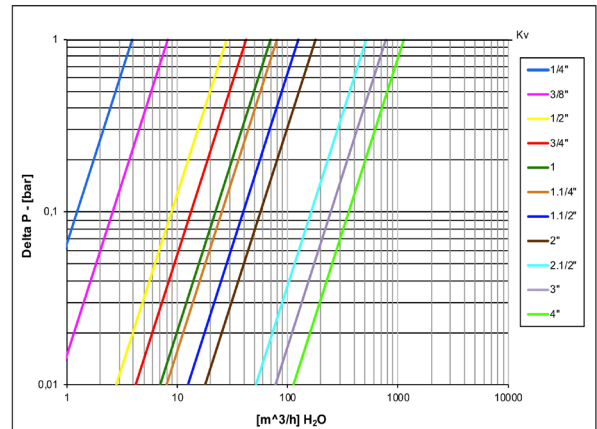
DN shows the nominal flow diameter. Actual flow diameter complies with full port DIN 3357 part 4. Stem configuration of valves over 2" is slightly different. Ball valves are marked CE on handle from 1 1/4" to 2", on body over 2" as follow:
 CE 0425 cat IIIB+D PS: 5 GAS TS1: -20°C TS2: +60°C

Pressure-temperature chart



AS4617 limitations for GAS: 2100 Kpa up to 2" and 1500 Kpa from 2 1/2" to 4" rated working pressure and 0°C +60°C temperature

Pressure drop chart



XCES84 - 4907