



S.112 NPT

1/2" - 4"
gate valve



Quality

- Suitable for water-works, domestic and agricultural installations
- Non rising stem suitable to most difficult applications

Body

- Hot forged sand blasted brass body
- Low pressure drop

Handle

- Red coated steel hand-wheel
- **WARNING:** do not exceed reasonable temperature and/or electrical load
- Zinc plated steel top nut

Threads

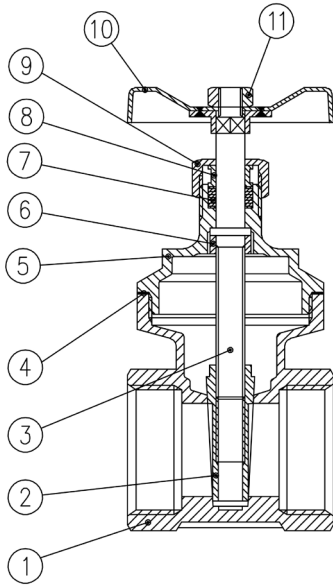
- NPT female by female taper threads

Stem

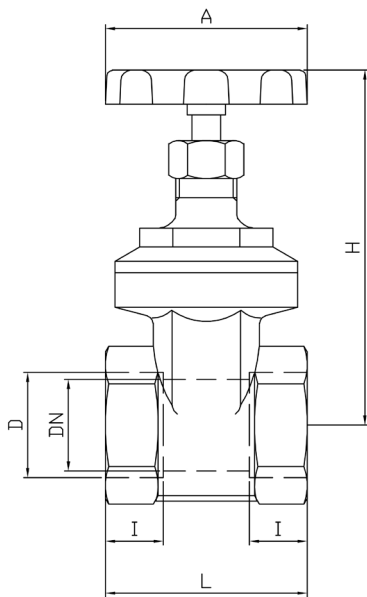
- High performance EPDM stem seal

Working pressure & temperature

- 150 PSI non-shock cold working pressure
- +14°F to +176°F (-10°C to +80°C)
- **WARNING:** freezing of the fluid in the installation may severely damage the valve



	Part description	Q.ty	Material
1	Body	1	CW617N
2	Gate	1	CB 754S
3	Stem	1	CW614N
4	Body cap sealing	1	Guarnital Fibre
5	Cap	1	CW617N
6	Stem ring	1	CW614N
7	Packing gland seal	1	EPDM90
8	Packing gland	1	CW614N
9	Packing gland nut	1	CW614N
10	Red round handle	1	Steel
11	Handle nut	1	Steel



Code	112D00	112E00	112F00	112G00	112H00	112I00	112L00	112M00	112N00
D (inch)	1/2	3/4	1	1 1/4	1 1/2	2	2 1/2	3	4
DN (inch)	0.531	0.610	0.748	1.062	1.299	1.732	1.850	2.362	2.834
I (inch)	0.354	0.354	0.393	0.393	0.433	0.472	0.511	0.511	0.590
L (inch)	1.377	1.535	1.692	1.889	2.125	2.283	2.480	2.755	3.149
A (inch)	1.771	1.771	1.968	2.165	2.362	2.755	3.149	3.937	3.937
H (inch)	2.677	2.677	3.149	3.385	4.212	5.275	5.629	6.889	7.952