



Quality

- Suitable for industrial, pneumatic and hydraulic installations

Body

- Hot forged CW617N brass body
- Stainless steel filter (1.4301 / AISI 304)
- Degree of filtration: 1/4" through 2" 500 µm, 2.1/2", 3", 4" 800 µm

Threads

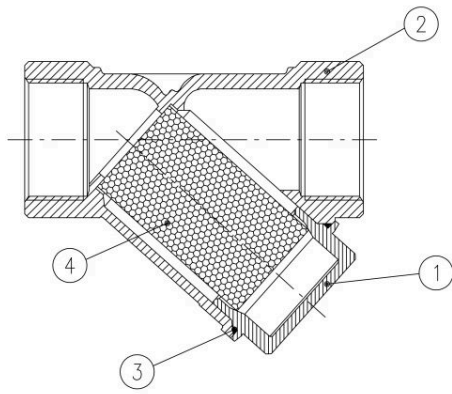
- ISO 228/1 female by female parallel threads and inspection plug

Working pressure & temperature

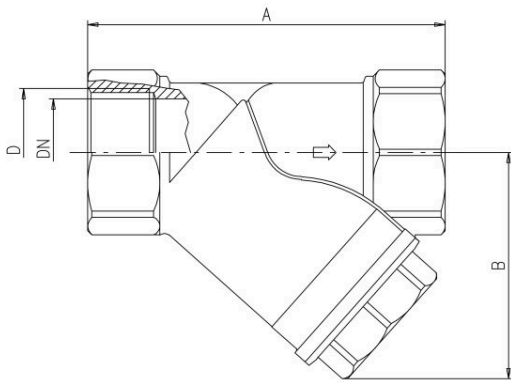
- 20 bar up to 2", 16 bar over 2" non-shock cold working pressure
- -20°C to +110°C (-4°F to +230°F) in absence of steam
- **WARNING:** freezing of the fluid in the installation may severely damage the valve

PED directive

- The product described in this document meets the requirements of PED Directive 2014/68/UE and according to art.4 par.3, it does not require CE marking; it cannot be used with dangerous gases in sizes larger than 25 mm; it cannot be used with non-dangerous gases in sizes larger than 50mm

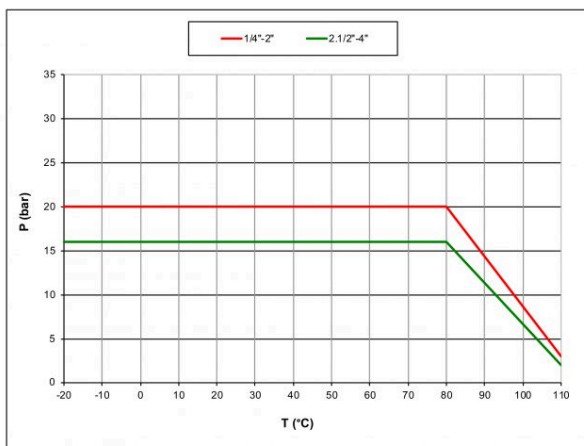


	PART DESCRIPTION	Q.TY	MATERIAL
1	End-cap	1	CW617N
2	Body	1	CW617N
3	O-Ring	1	NBR
4	Stainless steel strainer	1	1.4301/AISI 304



Code	128B00	128C00	128D00	128E00	128F00	128G00	128H00	128I00	128L00	128M00	128N00
D (inch)	1/4	3/8	1/2	3/4	1	1 1/4	1 1/2	2	2 1/2	3	4
A (mm)	55	55	58	70	87	96	106	126	150	169	219
B (mm)	40	40	40	48	56	64	73	88.5	105	120	162
DN	8	10	15	20	25	32	40	50	65	80	100
PN (Kg/cm ²)	20	20	20	20	20	20	20	20	16	16	16

Pressure-temperature chart



Ask for additional information on the whole range of **RUB** products and consult with your supplier for special applications.
For complete disclaimer: www.rubvalves.com/disclaimer