



s.124

1/2" - 4" ISO 228 foot valve



Quality

- Suitable for domestic, industrial, pneumatic and hydraulic installations
- Valve will perform its duty no matter if installed horizontally, vertically or half way
- Strong configuration

Body

- Hot forged brass body

Sealing

- Soft seat for positive shut-off

Threads

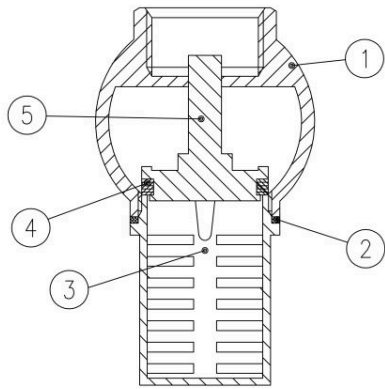
- ISO 228 female parallel thread

Working pressure & temperature

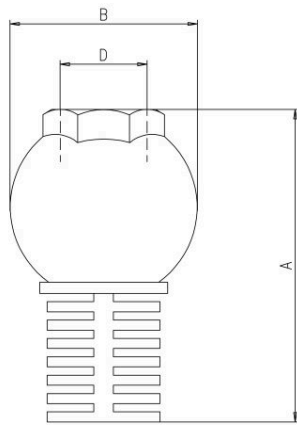
- 10 bar up to 1", 8 bar from 1.1/4" to 2", 6 bar over 2" non-shock cold working pressure
- 0°C to +90°C (+32°F to +194°F)
- **WARNING:** freezing of the fluid in the installation may severely damage the valve

PED directive

- The product described in this document meets the requirements of PED Directive 2014/68/UE and according to art.4 par.3, it does not require CE marking; it cannot be used with dangerous gases in sizes larger than 25mm



	PART DESCRIPTION	Q.TY	MATERIAL
1	Body	1	CW617N
2	Washer	1	Sinterite
3	Strainer	1	CB753S
4	Seal	1	NBR
5	Seat	1	CW617N



Code	124D00	124E00	124F00	124G00	124H00	124I00	124L00	124M00	124N00
D (inch)	1/2	3/4	1	1 ¼	1 ½	2	2 ½	3	4
A (mm)	59.5	70	81	94	101.5	119	139	175	194
B (mm)	39	45	51	61	68.5	80	100	121	145
PN (Kg/cm ²)	10	10	10	8	8	8	6	6	6