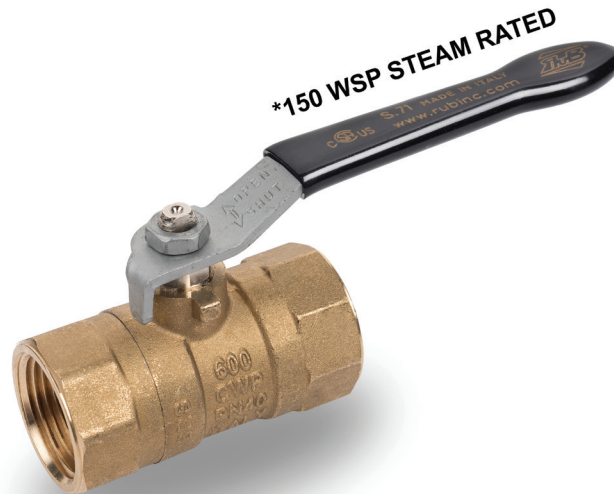




# s.71 NPT

1/2" - 4"  
standard port



## Quality

- 24h 100% seal test guaranteed
- Dual sealing system allows valve to be operated in either direction making installation easier
- No metal-to-metal moving parts
- Handle clearly shows ball position
- Silicone-free lubricant on all seals
- Chrome plated brass ball for longer life
- Handle stops on body to avoid stress at stem

## Body

- Hot forged sand blasted, unplated brass body and cap sealed with Loctite® or equivalent thread sealant
- Finest brass according to EN 12165 and EN 12164 specifications

## Stem

- Blowout-proof nickel plated brass stem
- Pure PTFE adjustable packing gland and reinforced washer for lower torque and easy maintenance
- Triple stem seals in sizes over 2 1/2"

## Sealing

- Pure PTFE self-lubricating seats with flexible-lip design

## Threads

- NPT taper ANSI B.1.20.1 female by female threads

## Flow

- Standard port for compact design

## Handle

- Geomet® carbon steel handle with thick PVC dip coating. Handle coating offers both thermal and electrical protection

## Working pressure & temperature

- 600 PSI non-shock cold working pressure
- \*150 psig non-shock steam working pressure. Not suitable for throttling steam.
- -40°F/+366°F
- **WARNING:** freezing of the fluid in the installation may severely damage the valve

## Options

- Oval lockable handle up to 2 1/2", round over 2 1/2"
- Stem extension up to 2 1/2"
- T-handle up to 2 1/2"
- Stainless steel handle (1.4016 / AISI 430) up to 2 1/2"
- Patented locking device
- Stubby handle up to 2"

## Upon request

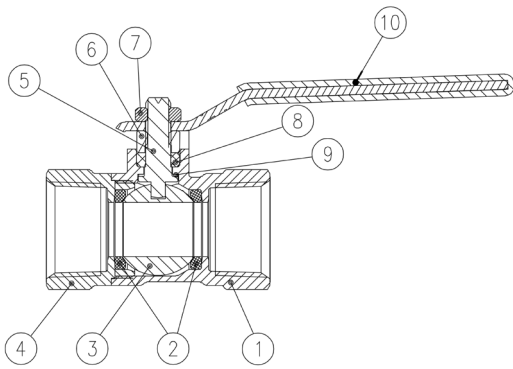
- Stainless steel ball and/or stem (1.4401 / AISI 316)
- Glass filled PTFE seals
- Custom design

## Approved by or in compliance with

- Canadian standards Association (United States, Canada)
- RoHS Compliant (EU)

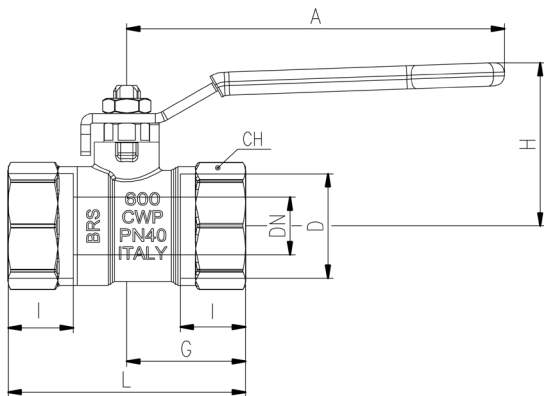
**NOTE:** approvals apply to specific configurations/sizes only.





1 1/2"-2 1/2" hollow ball

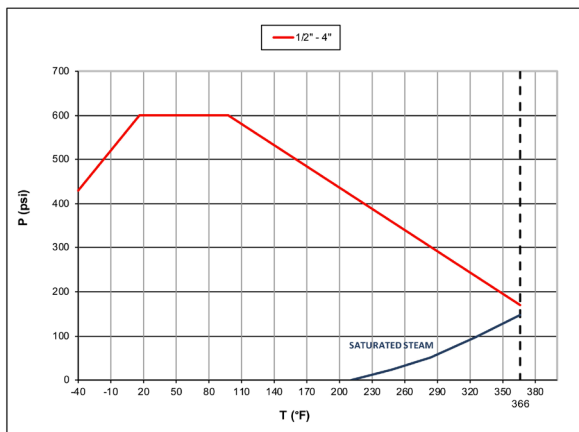
Part description	Q.ty	Material
1	1	CW617N
2	2	PTFE
3	1	CW617N
4	1	CW617N
5	1	CW617N
6	1	CW617N
7	1	CB4FF (EN10263-2)
8	1	PTFE
9	1	PTFE carbon filled 25%
10	1	DD11 (EN10111)



DN shows the nominal flow diameter.  
Stem configuration of valves over 2 1/2" is slightly different.

Code	S71D41	S71E41	S71F41	S71G41	S71H41	S71I41	S71L41	S71M41	S71N41
D (inch)	1/2	3/4	1	1 1/4	1 1/2	2	2 1/2	3	4
DN (inch)	0.453	0.591	0.787	0.984	1.260	1.575	1.968	2.559	3.150
I (inch)	0.610	0.669	0.827	0.905	0.905	1.043	1.260	1.378	1.634
L (inch)	2.126	2.441	2.835	3.464	3.779	4.409	5.276	6.378	7.480
G (inch)	1.043	1.220	1.417	1.732	1.890	2.205	2.638	3.189	3.740
A (inch)	3.937	3.937	4.724	4.724	6.220	6.220	6.220	10.039	10.039
H (inch)	1.693	1.695	1.984	2.153	2.988	3.236	3.500	5.197	5.512
CH (inch)	0.984	1.220	1.496	1.929	2.126	2.677	3.346	3.898	4.921
Cv (GPM)	8.3	15.0	22.0	38.1	54.3	78.6	206.8	596.2	896.5

### Pressure-temperature chart



### Pressure drop chart

