



# s.126

3/8" - 2" swing check valve with rubber seals



## Quality

- Suitable for domestic, industrial, pneumatic and hydraulic installations
- Strong configuration

## Body

- Hot forged brass body

## Sealing

- Seals in NBR
- Compact inspection cap

## Threads

- ISO 228 female parallel thread

## Working pressure & temperature

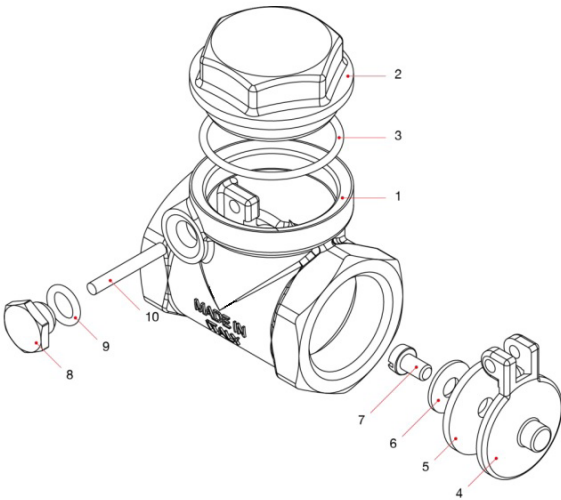
- 16 bar up to 3/4", 12 bar 1", 10 bar from 1 1/4" up to 2", non-shock cold working pressure
- 0°C to +90°C (+32°F to +194°F)
- **WARNING:** freezing of the fluid in the installation may severely damage the valve

## Options

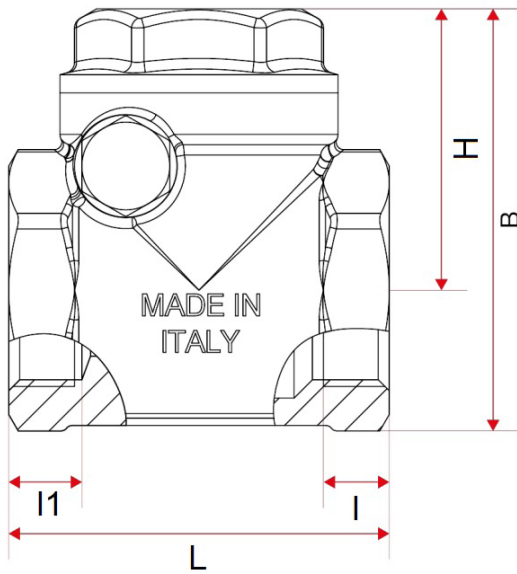
- Configuration with metal seals (s.126M)
- Configuration with NPT threads ANSI B.1.20.1 and metal seals from 1/2" up to 2" (s.126MN)

## PED directive

- The product described in this document meets the requirements of PED Directive 2014/68/UE and according to art .4 par.3, it does not require CE marking; it cannot be used with dangerous gases in sizes larger than 25 mm



	Part description	Q.ty	Material
1	Unplated body	1	CW617N
2	Unplated hexagonal cap	1	CW617N
3	Hexagonal cap O-ring	1	NBR
4	Bonnet	1	CW617N
5	Seal	1	NBR
6	Washer	1	CW508L
7	Screw	1	CW508L
8	Plug	1	CW614N
9	Plug O-ring	1	NBR
10	Nail	1	CW614N



Code	126C00	126D00	126E00	126F00	126G00	126H00	126I00
D (inch)	3/8	1/2	3/4	1	1 1/4	1 1/2	2
DN (mm)	10	15	20	25	32	40	50
l (mm)	8	8	9	11.5	11.5	14.5	13
l1 (mm)	12	9.5	10	13	13	13	13.5
L (mm)	43	43	52	62	72	81	94
H (mm)	35	35	38.5	42	47	54	61
B (mm)	50	50	58	66	76	86	100
PN (Kg/cm <sup>2</sup> )	16	16	16	12	10	10	10

Ask for additional information on the whole range of **RUB** products and consult with your supplier for special applications.  
 For complete disclaimer: [www.rubvalves.com/disclaimer](http://www.rubvalves.com/disclaimer)