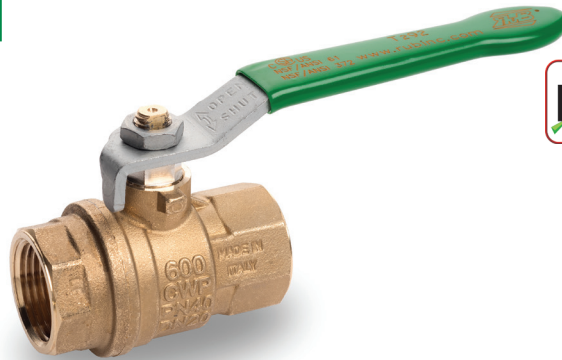




# Puri-T 292 NPT

1/4" - 2"  
Lead Free

All surfaces of this product in contact with drinking water contain less than 0.25% of lead in compliance with U.S. law



## Quality

- Certified by CSA International to comply with U.S. s3874, California AB1953, and similar laws of other states for the safe handling of drinking water
- 24h 100% seal test guaranteed
- Dual sealing system allows valve to be operated in either direction making installation easier
- No metal-to-metal moving parts
- Handle clearly shows ball position
- Silicone-free lubricant on all seals
- Handle stops on body to avoid stress at stem

## Body

- Hot forged sand blasted, unplated lead free brass body and cap sealed with Loctite® or equivalent thread sealant
- Chrome plated lead free brass ball for longer life

## Stem

- Pure PTFE adjustable packing gland and reinforced washer for lower torque and easy maintenance
- Blowout-proof unplated lead free brass stem

## Sealing

- Glass filled pure PTFE self-lubricating seats with flexible-lip design

## Threads

- NPT taper ANSI B.1.20.1 female by female threads

## Flow

- Full port to DIN 3357 for maximum flow

## Handle

- Geomet® carbon steel handle with thick PVC dip coating. Handle coating offers both Thermal and electrical protection
- **WARNING:** do not exceed reasonable temperature and/or electrical load

## Working pressure & temperature

- 600 PSI non-shock cold working pressure
- For general use: -40°F / +350°F (-40°C to +170°C)
- NSF 61 limits (CSA approval): tested for use in continuous exposure to water of ambient temperature
- **WARNING:** freezing of the fluid in the installation may severely damage the valve

## Options

- Stem extension
- T-handle
- Oval lockable handle
- Stainless steel handle (1.4016 / AISI 430)
- Patented locking device
- Stubby handle

## Upon request

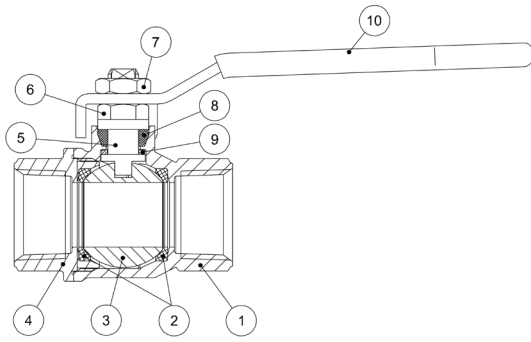
- Custom design
- Pure PTFE seals

## Approved by or in compliance with

- GOST-R (Russia)
- Certified by CSA International for Drinking Water to NSF/ANSI 61 – NSF/ANSI 372 (United States)
- RoHS Compliant (EU)

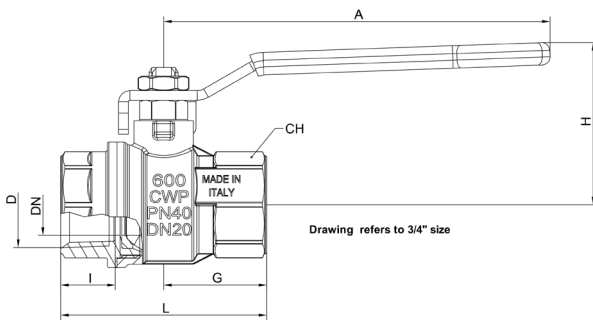
**NOTE:** approvals apply to specific configurations/sizes only.





1 1/2"-2" hollow ball

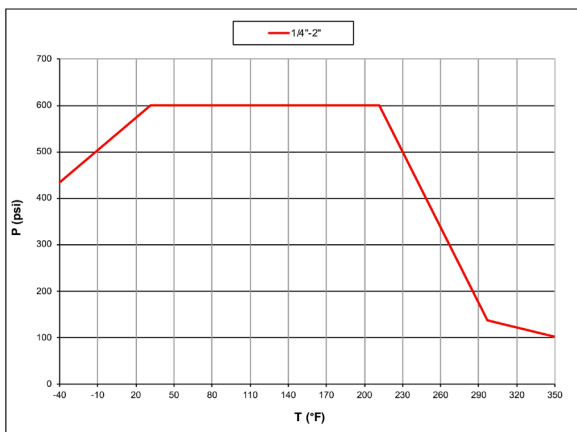
	Part description	Q.ty	Material
1	Unplated NPT body	1	CW510L
2	Seat	2	PTFE glass filled 5-15%
3	Chrome plated ball	1	CW510L
4	Unplated NPT end-cap	1	CW510L
5	Unplated stem packing gland design	1	CW510L
6	Nickel plated gland nut	1	CW617N
7	Geomet® nut	1	CB4FF (EN10263-2)
8	Packing gland seal	1	PTFE
9	Thrust washer	1	PTFE carbon filled 25%
10	Green PVC coated Geomet® steel handle	1	DD11 (EN10111)



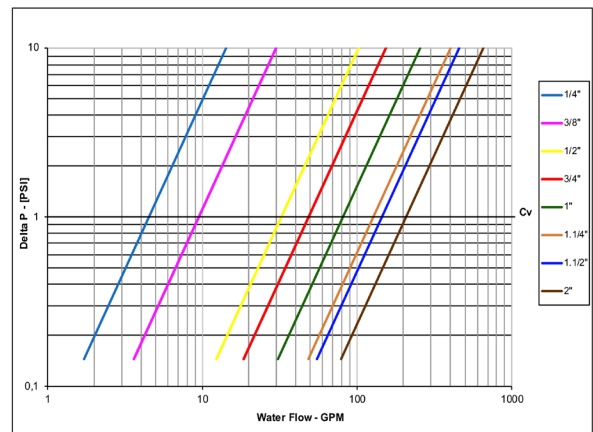
DN shows the nominal flow diameter. Actual flow diameter complies with full port DIN 3357 part 4.

Code	T292B41	T292C41	T292D41	T292E41	T292F41	T292G41	T292H41	T292I41
D (inch)	1/4	3/8	1/2	3/4	1	1 1/4	1 1/2	2
DN (inch)	0.314	0.393	0.590	0.787	0.984	1.259	1.574	1.968
I (inch)	0.472	0.472	0.610	0.669	0.826	0.905	0.905	1.043
L (inch)	1.771	1.771	2.322	2.519	3.188	3.661	4.015	4.763
G (inch)	0.885	0.885	1.161	1.259	1.594	1.830	2.007	2.381
A (inch)	3.228	3.228	3.937	4.724	4.724	6.220	6.220	6.220
H (inch)	1.563	1.563	1.695	1.988	2.153	2.988	3.236	3.500
CH (inch)	0.669	0.787	0.984	1.220	1.574	1.929	2.125	2.696
Cv (GPM)	4.5	9.5	32.3	48.5	80.9	127.1	144.4	206.8

### Pressure-temperature chart



### Pressure drop chart



XCET292 - 4711