



s.92 NPT SS trim

1/4" - 2"

Abrasive media? Life problems with your current valves?

RuB has the solution! Thanks to its long experience in industrial applications, **RuB** offers a variety of configurations specifically designed to solve critical situations. Brass is notably a "soft" alloy with high copper content having features that make it ideal for plumbing and sanitary installations. When it comes to industrial applications, however, you may need the tough chemistry of stainless steel.

And here we are: **RuB** combines the properties of a brass body with strength of stainless steel ball and stem. Ideal for abrasive media and other severe applications.



Quality

- 24h 100% seal test guaranteed
- Dual sealing system allows valve to be operated in either direction making installation easier
- No metal-to-metal moving parts
- Handle clearly shows ball position
- Silicone-free lubricant on all seals
- Stainless steel ball and stem for abrasive liquids
- Handle stops on body to avoid stress at stem

Body

- Hot forged sand blasted, unplated brass body and cap sealed with Loctite® or equivalent thread sealant
- Finest brass according to EN 12165 and EN 12164 specifications

Stem

- Blowout-proof stainless steel stem
- Pure PTFE adjustable packing gland and reinforced washer for lower torque and easy maintenance

Sealing

- Glass filled pure PTFE self-lubricating seats with flexible-lip design

Threads

- NPT taper ANSI B. 1.20.1 female by female threads

Flow

- Full port to DIN 3357 for maximum flow

Handle

- Geomet® carbon steel handle with thick PVC dip coating. Handle coating offers both thermal and electrical protection
- **WARNING:** do not exceed reasonable temperature and/or electrical load

Working pressure & temperature

- 600 PSI (40 bar) up to 2", (150 WSP / -10 bar) non-shock cold working pressure
- *150 psig (10 bar) non-shock steam working pressure. Not suitable for throttling steam
- -40°F to +366°F (-40°C to +185°C)
- **WARNING:** freezing of the fluid in the installation may severely damage the valve

Options

- Stem extension
- T-handle
- Stainless steel handle (1.4016 / AISI 430)
- Oval lockable handle
- Patented locking device
- Stubby handle

Upon request

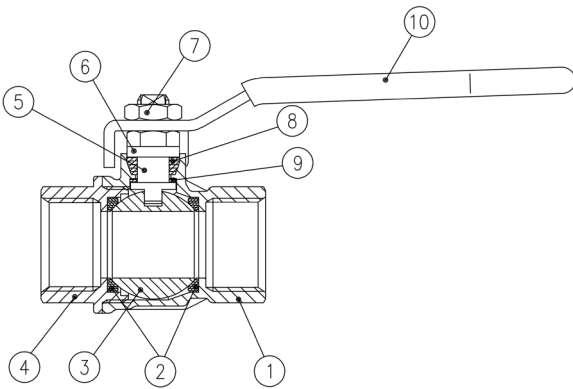
- Custom design
- Pure PTFE seals
- Male by female NPT threads

Approved by or in compliance with

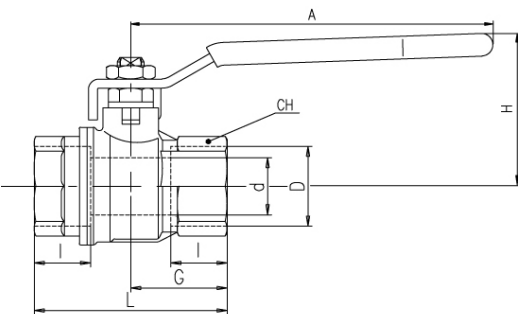
- RoHS Compliant (EU)

NOTE: approvals apply to specific configurations/sizes only.





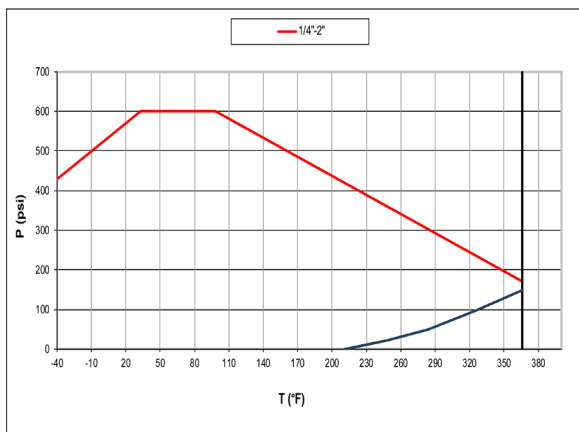
	Part description	Q.ty	Material
1	Unplated NPT body	1	CW617N
2	Seat	2	PTFE glass filled 5-15%
3	Stainless steel ball	1	1.4401 / AISI 316
4	Unplated NPT end-cap	1	CW617N
5	Stainless steel stem packing gland design	1	1.4401 / AISI 316
6	Nickel plated gland nut	1	CW617N
7	Geomet® nut	1	CB4FF (EN10263-2)
8	Packing gland seal	1	PTFE
9	Washer	1	PTFE carbon filled 25%
10	Yellow PVC coated Geomet® steel handle	1	DD11 (EN10111)



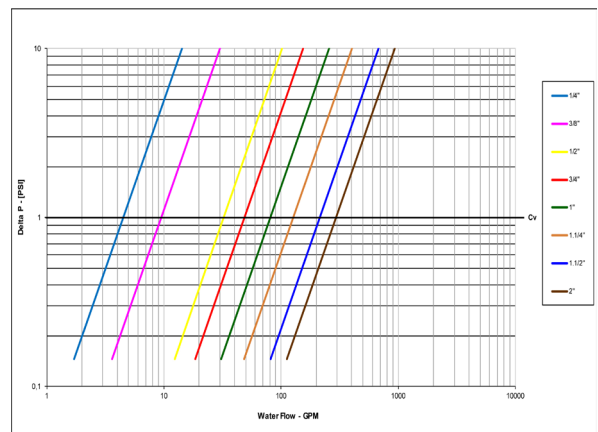
d shows the nominal flow diameter. Actual flow diameter complies with full port DIN 3357 part 4.

Code	S92B48	S92C48	S92D48	S92E48	S92F48	S92G48	S92H48	S92I48
D (inch)	1/4"	3/8"	1/2"	3/4"	1"	1 1/4"	1 1/2"	2"
d (inch)	0.315	0.374	0.591	0.748	0.945	1.181	1.496	1.890
I (inch)	0.472	0.472	0.610	0.669	0.827	0.906	0.906	1.043
L (inch)	1.772	1.772	2.323	2.520	3.189	3.661	4.016	4.764
G (inch)	0.886	0.886	1.161	1.260	1.594	1.831	2.008	2.382
A (inch)	3.228	3.228	3.937	4.724	4.724	6.220	6.220	6.220
H (inch)	1.563	1.563	1.695	1.988	2.153	2.988	3.236	3.500
CH (inch)	0.669	0.787	0.984	1.220	1.575	1.929	2.126	2.697
Cv (GPM)	4.5	9.5	32.3	48.5	80.9	127.1	214.9	295.8

Pressure-temperature chart



Pressure drop chart



XCES9248 - 4711