



s.92 barrel drain

3/4" - 1"



The s.92 RuB brass ball valve is specifically designed to offer easy and effective drainage of storage tanks and can be installed at the bottom of your barrel or tank and operated with a simple 90° turn to allow full flow accessibility to quickly drain your water, oil, gasoline or other fluids.

Its 45° threaded elbow allows for additional pipe connection to conveniently install the drain valve in the best location and in addition the valve features a patented RuB tamper-proof locking handle to ensure there is no unauthorized access to the tank.

The s.92 can easily be installed on small tanks, utility tanks, overhead farm tanks, and drums as a gravity flow shut-off valve. Another good idea from RuB!



Quality

- 24h 100% seal test guaranteed
- Dual sealing system allows valve to be operated in either direction making installation easier
- No metal-to-metal moving parts
- Handle clearly shows ball position
- Silicone-free lubricant on all seals
- Chrome plated brass ball for longer life
- Handle stops on body to avoid stress at stem

Body

- Hot forged sand blasted, unplated brass body and cap sealed with Loctite® or equivalent thread sealant
- Finest brass according to EN 12165 and EN 12164 specifications

Stem

- Blowout-proof nickel plated brass stem
- Pure PTFE adjustable packing gland and reinforced washer for lower torque and easy maintenance

Sealing

- Glass filled pure PTFE self-lubricating seats with flexible-lip design

Threads

- NPT taper ANSI B.1.20.1 male by female threads



Flow

- Full port to DIN 3357 for maximum flow

Handle

- Geomet® carbon steel lockable handle patent n. 7074-B/90 with thick PVC dip coating. Handle coating offers both thermal and electrical protection
- Handle removable with valve in service

Working pressure & temperature

- 600 PSI (40 bar), (150 WSP / -10 bar all sizes) non-shock cold working pressure
- *150 psig (10 bar) non-shock steam working pressure. Not suitable for throttling steam
- -40°F to +366°F (-40°C to + 170 °C)
- WARNING: freezing of the fluid in the installation may severely damage the valve

Options

- T-handle
- Oval lockable handle
- Stainless steel handle (1.4016 / AISI 430)
- Stubby handle
- Non-locking Geomet® carbon steel lever handle

Upon request

- Stainless steel ball and/or stem (1.4401 / AISI 316)
- Custom design
- Pure PTFE seals
- EN 10226-1, ISO 228 parallel female by female threads
- ISO 7/1, BS 21 BSPT taper female by female threads

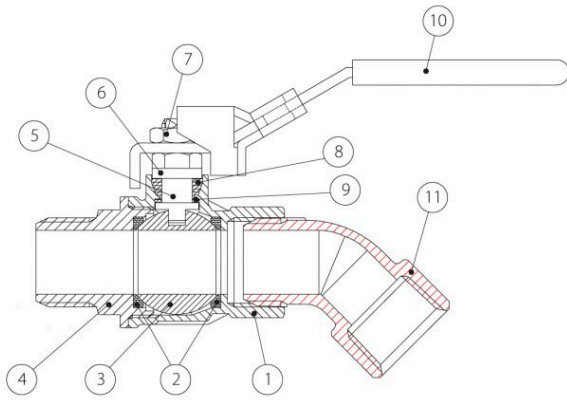
PED directive

- The product meets the requirements of PED Directive 2014/68/UE and according to art.4 par.3, it does not require CE marking

Approved by or in compliance with

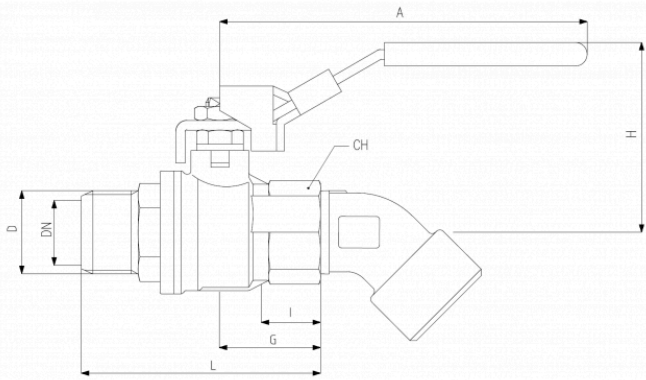
- RoHS Compliant (EU)

NOTE: approvals apply to specific configurations/sizes only.



	PART DESCRIPTION	Q.TY	MATERIAL
1	Unplated NPT body	1	CW617N
2	Seat	2	PTFE glass filled 5-15%
3	Chrome plated ball	1	CW617N
4	Unplated NPT end-cap	1	CW617N
5	Nickel plated stem packing gland design	1	CW617N
6	Nickel plated gland nut	1	CW617N
7	Geomet® nut	1	CB4FF (EN10263-2)
8	Packing gland seal	1	PTFE
9	Washer	1	PTFE carbon filled 25%
10	Light blue PVC coated Geomet® steel lockable handle	1	DD11 (EN10111)
11	Elbow	1	CW617N

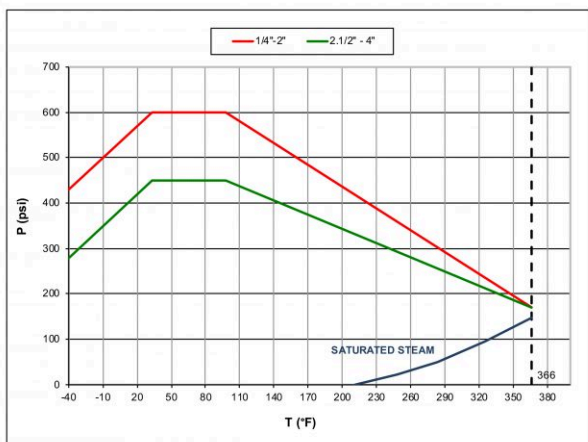
3/4" - 1"



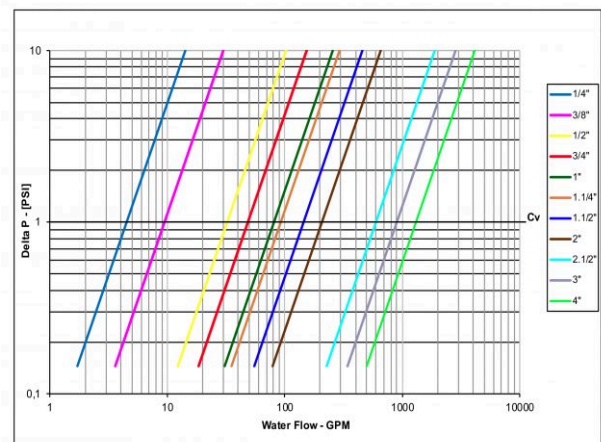
DN shows the nominal flow diameter. Actual flow diameter complies with full port DIN 3357 part 4.

Code	S92ES2MO	S92FS2MO
D (inch)	3/4"	1"
DN (mm)	20	25
I (mm)	17	21
L (mm)	76,5	92,4
G (mm)	32	40,5
A (mm)	117	117
H (mm)	60	64
CH (mm)	31	40
Kv (m3/h)	42	70

Pressure-temperature chart



Pressure drop chart



Ask for additional information on the whole range of **RUB** products and consult with your supplier for special applications.
For complete disclaimer: www.rubvalves.com/disclaimer