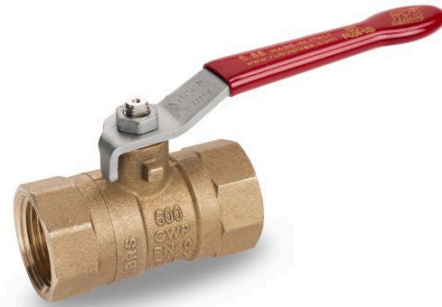




s.88 BSPT

1/4" - 2" reduced port



Quality

- 24h 100% seal test guaranteed
- Dual sealing system allows valve to be operated in either direction making installation easier
- No metal-to-metal moving parts
- No maintenance ever required
- Handle clearly shows ball position
- Silicone-free lubricant on all seals
- Chrome plated brass ball for longer life
- Handle stops on body to avoid stress at stem

Body

- Hot forged sand blasted, unplated brass body and cap sealed with Loctite® or equivalent thread sealant
- Finest brass according to EN 12165 and EN 12164 specifications

Stem

- Blowout-proof nickel plated brass stem
- Maintenance- free, double FPM O-rings at the stem for maximum safety

Sealing

- Pure PTFE self-lubricating seats with flexible-lip design

Threads

- ISO 7/1, BS 21 BSPT taper female by female threads



Flow

- One size reduced port compact design

Handle

- Geomet® carbon steel handle with thick PVC dip coating. Handle coating offers both thermal and electrical protection
- Handle removable with valve in service
- **WARNING:** do not exceed reasonable temperature and/or electrical load

Working pressure & temperature

- 40 bar (600 PSI) non-shock cold working pressure
- -40°C to +170°C (-40°F to +350°F)
- **WARNING:** freezing of the fluid in the installation may severely damage the valve

Options

- NPT taper ANSI B.1.20.1 threads (s. 71 model with packing gland seal)
- Stem extension
- T-handle
- Oval lockable handle
- Stainless steel handle (1.4016 / AISI 430)
- Patented locking device
- Stubby handle
- **RuB** memory stop designed to be installed with our stubby handle

Upon request

- Stainless steel ball (1.4401 / AISI 316)
- Glass filled PTFE seals
- Custom Design
- Male by female threads

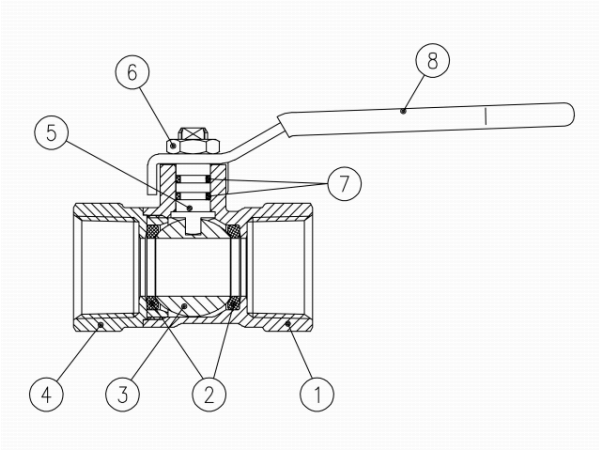
PED directive

- According to 2014/68/UE module A: it cannot be used with dangerous gases in sizes larger than 25 mm

Approved by or in compliance with

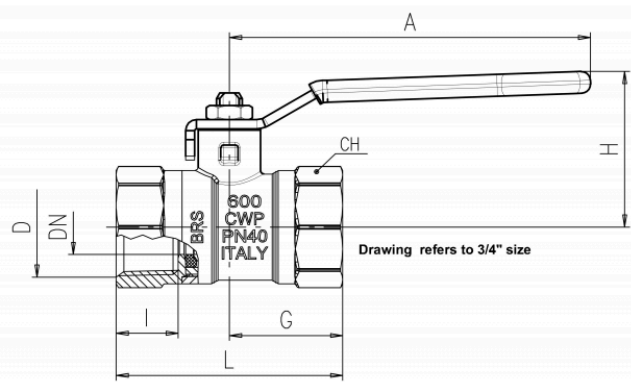
- GOST-R (Russia)
- RoHS Compliant (EU)

NOTE: approvals apply to specific configurations/sizes only



	PART DESCRIPTION	Q.TY	MATERIAL
1	Unplated body	1	CW617N
2	Seat	2	PTFE
3	Chrome plated ball	1	CW617N
4	Unplated end-cup	1	CW617N
5	Nickel plated stem O-ring design	1	CW617N
6	Geomet® nut	1	CB4FF (EN10263-2)
7	O-ring	2	FPM
8	Red PVC coated Geomet® steel handle	1	DD11 (EN10111)

1.1/2"- 2" hollow ball



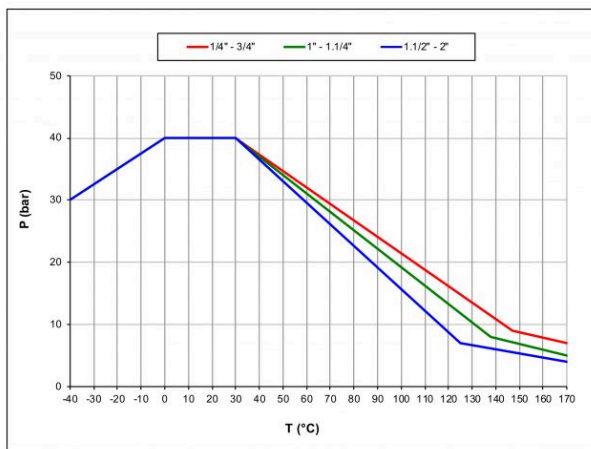
Code	S88B50	S88C50	S88D50	S88E50	S88F50	S88G50	S88H50	S88I50
D (inch)	1/4	3/8	1/2	3/4	1	1 1/4	1 1/2	2
DN (mm)	6	8	11.5	15	20	25	32	40
I (mm)	12	12	15.5	17	21	23	23	26.5
L (mm)	45	45	54	62	72	88	96	112
G (mm)	22.5	22.5	26.5	31	36	44	48	56
A (mm)	82	82	100	100	120	120	158	158
H (mm)	38	38	41	43	50	54	73	79
CH (mm)	20	20	25	31	38	49	54	68
Kv (m³/h)	1.6	2.6	7.2	13.0	19.0	33.0	47.0	68.0

DN shows the nominal flow diameter.

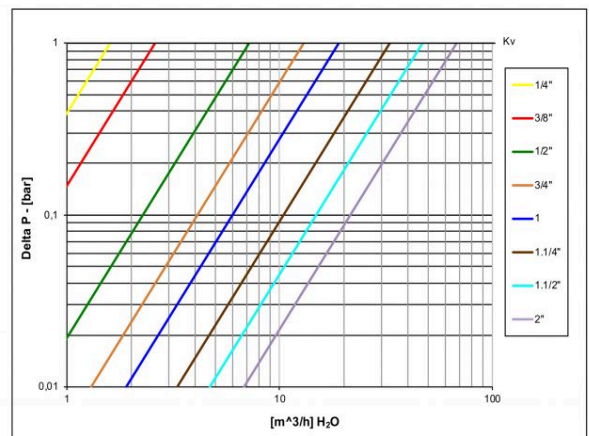
Ball valves are marked CE on handle from 1.1/2" to 2" as follow:

CE XXCODEXX Cat. I-A

Pressure-temperature chart



Pressure drop chart



Ask for additional information on the whole range of **RUB** products and consult with your supplier for special applications.
For complete disclaimer: www.rubvalves.com/disclaimer