



k.60

1/4" - 2" EN 10226-1, heavy duty
DIN 16722 M3



HIGH TEMPERATURE RESISTANCE

Now approved for **HTB** use (Hochtemperaturbeständigkeit)
Class B 0,1 (0,1 bar @650°C for at least 30 minutes).



Quality

- 24h 100% seal test guaranteed
- Dual sealing system allows valve to be operated in either direction making installation easier
- No metal-to-metal moving parts
- No maintenance ever required
- Handle clearly shows ball position
- Silicone-free lubricant on all seals
- Chrome plated brass ball for longer life
- Handle stops on body to avoid stress at stem

Body

- Hot forged sand blasted, nickel plated brass body and cap sealed with Loctite® or equivalent thread sealant
- Valve length according to DIN 16722 M3 for sizes from 3/8" to 2" (DN10 to DN50). Size 1/4" (DN 8) complies to DIN 3202 M3.
- Finest brass according to EN 12165 and EN 12164 specifications

Stem

- Blowout-proof nickel plated brass stem
- Maintenance - free, double FPM O-rings at the stem for maximum safety

Sealing

- Pure PTFE self-lubricating seats with flexible-lip design

Threads

- EN 10226-1, ISO 228 parallel female by female threads



Flow

- 100% full port for maximum flow

Handle

- Geomet® carbon steel handle with thick PVC dip coating. Handle coating offers both thermal and electrical protection
- **WARNING:** do not exceed reasonable temperature and/or electrical load

Working pressure & temperature

- 65 bar (940 PSI) up to 1"; 40 bar (600 PSI) over 1" non-shock cold working pressure
- -40°C to +170°C (-40°F to +350°F)
- For use with dangerous fluids temperature rating is -20°C to +60°C (-4°F to +140°F) and pressure rating is 5 bar (72 PSI) / **HTB** Class B 0,1
- **WARNING:** freezing of the fluid in the installation may severely damage the valve

Options

- Stem extension
- T-handle
- Oval lockable handle
- Stainless steel handle (1.4016 / AISI 430)
- Patented locking device
- Stubby handle
- **RuB** memory stop designed to be installed with our stubby handle

Upon request

- Stainless steel ball (1.4401 / AISI 316)
- Glass filled PTFE seals
- Custom design

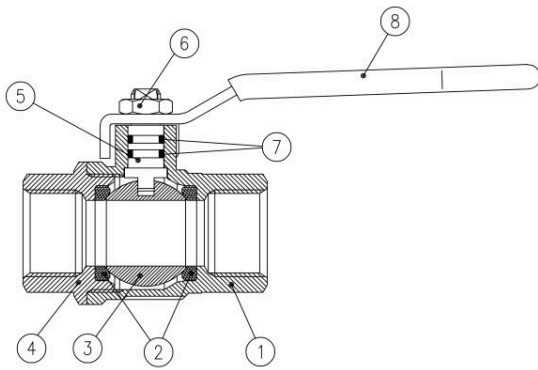
PED directive

- Assessment according to Pressure Equipment Directive 2014/68/UE module B+D by ICIM (0425)

Approved by or in compliance with

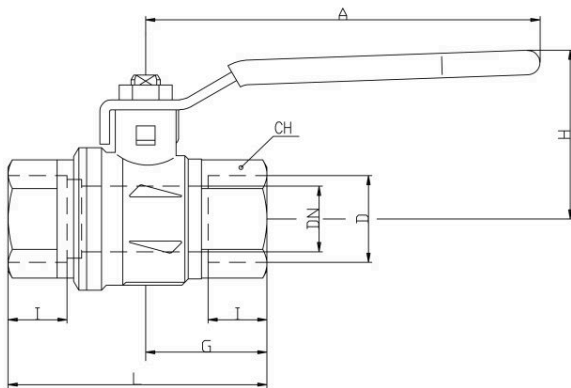
- DVGW (Germany) - MOP 5 B 0,1
- SVGW (Switzerland)
- GOST-R (Russia)
- EAC - Declaration of conformity (Russia, Kazakhstan, Belarus)
- RoHS Compliant (EU)

NOTE: approvals apply to specific configurations/sizes only.



| | PART DESCRIPTION | Q.TY | MATERIAL |
|---|----------------------------------------|------|-------------------|
| 1 | Nickel plated body | 1 | CW617N |
| 2 | Seat | 2 | PTFE |
| 3 | Chrome plated ball | 1 | CW617N |
| 4 | Nickel plated end-cap | 1 | CW617N |
| 5 | Nickel plated stem O-ring design | 1 | CW617N |
| 6 | Geomet® nut | 1 | CB4FF (EN10263-2) |
| 7 | O-Ring | 2 | FPM |
| 8 | Yellow PVC coated Geomet® steel handle | 1 | DD11 (EN10111) |

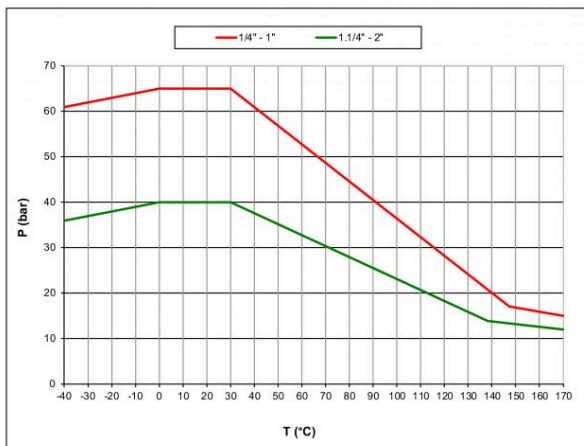
1.1/4"- 2" hollow ball



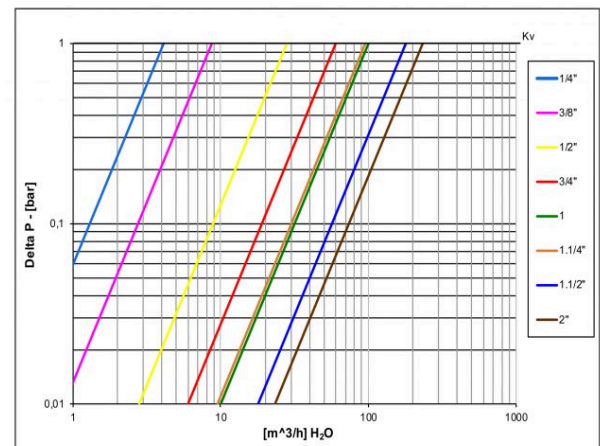
| Code | Compliant to CE 2014/68/EU product Equipment category III Module B+D | | | | | | | |
|------------------------|----------------------------------------------------------------------------|--------|--------|--------|--------|--------|--------|--------|
| | S60B05 | S60C05 | S60D05 | S60E05 | S60F05 | S60G05 | S60H05 | S60I05 |
| D (inch) | 1/4 | 3/8 | 1/2 | 3/4 | 1 | 1 1/4 | 1 1/2 | 2 |
| DN (mm) | 8 | 10 | 15 | 20 | 25 | 32 | 40 | 50 |
| I (mm) | 12.5 | 12.5 | 15.5 | 18 | 21 | 23 | 24.5 | 26.5 |
| L (mm) | 50 | 60 | 75 | 80 | 90 | 110 | 120 | 140 |
| G (mm) | 25.5 | 25.5 | 30.5 | 37 | 45.5 | 52 | 59 | 67.5 |
| A (mm) | 82 | 82 | 100 | 120 | 120 | 158 | 158 | 158 |
| H (mm) | 40 | 40 | 43 | 51.5 | 55.5 | 75 | 81 | 88.5 |
| CH (mm) | 22 | 22 | 27 | 32 | 41 | 50 | 55 | 70 |
| PN (bar) | 65 | 65 | 65 | 65 | 65 | 40 | 40 | 40 |
| Kv (m ³ /h) | 4.1 | 8.7 | 28 | 60 | 100 | 95 | 179 | 233 |

Ball valves are marked CE on handle from 1.1/4" to 2" as follow:
CE 0425 cat IIIB+D PS: 5 GAS TS1: -20°C TS2: +60°C

Pressure-temperature chart



Pressure drop chart



Ask for additional information on the whole range of **RUB** products and consult with your supplier for special applications.
For complete disclaimer: www.rubvalves.com/disclaimer